

Bracke T21.b

Two-row disc trencher

The Bracke T21.a is designed for smaller forwarders and agricultural tractors and is perfect for scarifying smaller sites. Scarification with the Bracke T21.b gives plants and seeds a very good start for growth and survival. The smart and simple design makes the Bracke T21.b a flexible and easy-to-use machine.

Design

The Bracke T21.b is available in two versions: with a three-point mount for attachment to an agricultural

tractor or with a frame for attachment to a forwarder. For both forwarders and agricultural tractors, hydraulically powered or rotating discs are available. Ground pressure can be adjusted from the cab with the easy-to-use control system. The disc angle can be adjusted manually and offers nine different angles irrespective of disc type. The rotational speed of the hydraulically-powered discs can be set manually. The hydraulics are load-sensing and are connected to the prime mover.

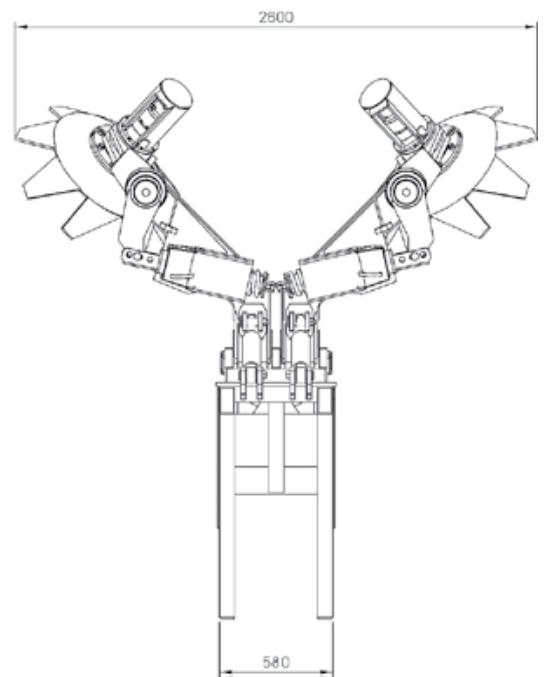
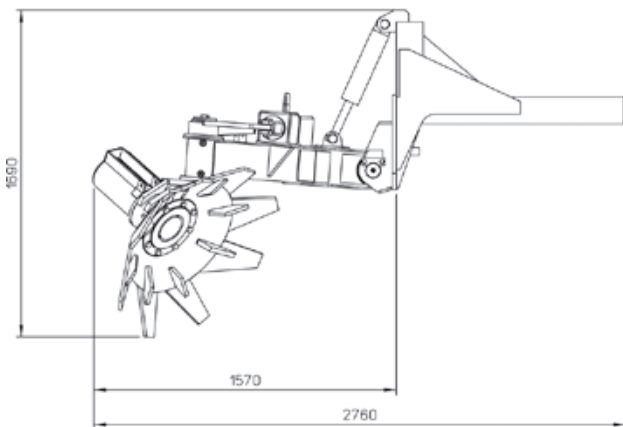
Bracke reserves the right to make changes. 2017-05-10

Technical data

Prime mover	Forwarder 8 – 11 ton. Agricultural tractor with three-point lift and at least 100 hp
Weight	1 400 kg
Disc diameter	1,000 mm incl. teeth
Hydraulic pressure	120 bar
Hydraulic flow	80 l/min
Electrical system	24V
Control system	
Control panel	Relay-based control system
Accessories	Seeder S35.a



Control panel T21.b



T21.b is mounted on a forwarder of 8 – 11 ton or an agricultural tractor with at least 100 hp



The T21.b creates planting spots with inverted humus (T), mineral soil mounds on inverted humus (H), and mineral soil mounds (M).



The T21.b is available with hydraulically-powered discs or rotating discs.